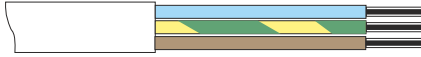


OLYMPUS PRO

Operating Instructions & Maintenance Guide

ELECTRICAL CONNECTIONS



NEUTRAL = BLUE N
EARTH = GREEN & YELLOW
LIVE = BROWN L

The pump comes complete with 10 mtrs of 3 core cable, however, should any additional cable be required then the use of an approved waterproof cable connector is essential.

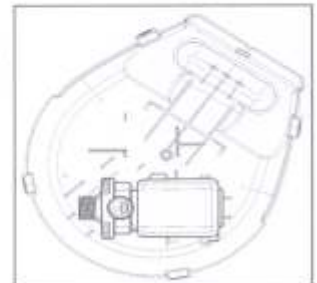
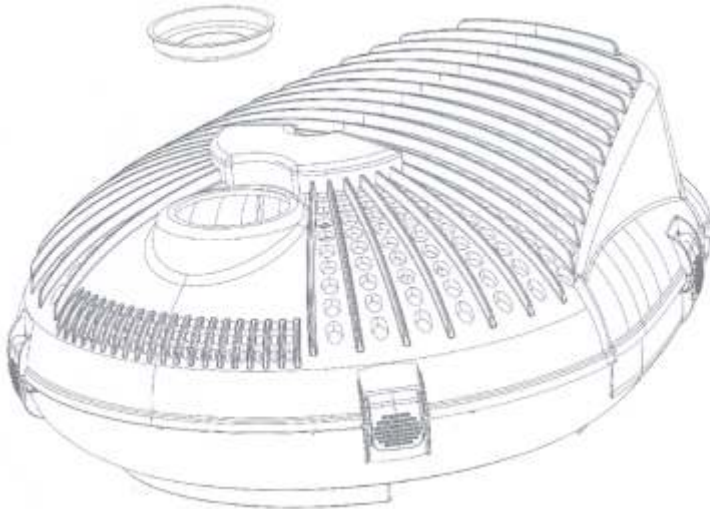
- The power supply must be earthed and fused at 3amps.
- Regularly inspect the cable for damage and deterioration
- Always use a residual circuit device (RCD) for additional safety
- For permanent installation to the mains supply, it is necessary to comply with the regulations of the Local Electricity Authority.
- Consult a qualified electrician if in doubt about any aspects of wiring.

SAFETY

- Always disconnect the mains electricity supply before attempting any installation/maintenance or handling of any kind.
- The pump should never be run dry as this will cause the unit to overheat and damage it.
- Do not attempt to modify this unit in any way and only use the recommended parts for replacement.
- Do not place in liquids other than water.
- All connections must be Earthed.
- Do not connect to any voltage other than that stated on the pump.
- Do not use in water above 90°f / 30°C.

INSTALLATION

The pump should be sited on a firm base, raised from the bottom of the pond. Connect a suitable length of hose pipe. It is important to cut the multistage hose connectors to the correct size to fit hose pipe.



Position of pump inside
base of cage

REGULAR MAINTENANCE

At regular intervals dependant on individual water conditions it will be necessary to carry out the following maintenance program.

Important:- Disconnect the mains electricity supply before attempting any maintenance work.

Maintenance

We highly recommend that you clean the pump periodically. It is of utmost importance to clean the pump when there is a decrease in the pumping capacity.

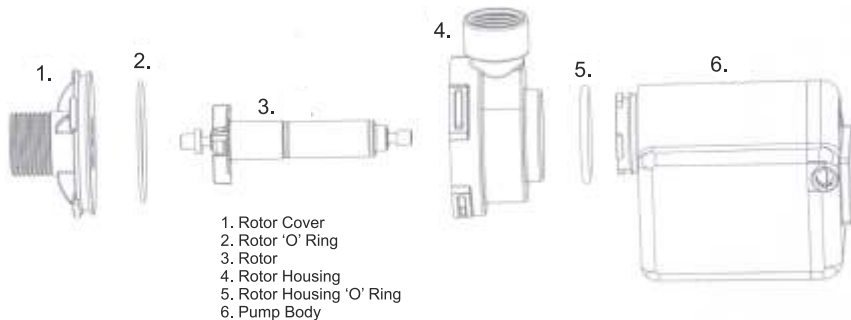
To clean Proceed as follows:

1. Unscrew and remove the outlet adjustment assembly and clean each of the components.
2. Remove the filter housing and clean with pond water. Do not use any type of cleaning solvent or detergent.
3. Carefully twist the rotor cover (1) anticlockwise to access the rotor (3) taking care of the rubber O ring (2). Clean and inspect the O ring for signs of damage and replace if necessary.
4. Remove the rotor (3) and again, clean and inspect for signs of damage.
5. Check the Pump Body (6) and cable for damage. If there is signs of damage, please replace pump.
6. Reassemble by inverting the above procedure and make sure the pump power cable is replaced in the correct installation positions.

To protect the pump from icing during winter, at the end of the summer season remove the pump from the pond, clean and store it in a dry place.

POINTS TO REMEMBER

- Always disconnect the mains electricity supply before attempting any installation or handling of any kind.
- Never run the pump out of water or without the outer casing attached, as this will damage the pump.
- Do not attempt to pull the pump out of the water by it's electrical supply cable.
- Regularly inspect the pump and cable for any signs of damage.



Guarantee

Your Olympus Pro Pump is guaranteed against failure due to defective workmanship or material for a period of 3 years from the date of purchase. Failure caused by accidental damage, misuse, neglect or used in liquids other than cold water are excluded from this guarantee. If a failure occurs during this period, a purchase receipt must be returned with the unit which will be repaired or replaced. The company can not accept any additional claims or consequential losses.

**THIS GUARANTEE DOES NOT AFFECT YOUR STATUTORY RIGHTS.
THIS UNIT IS MADE IN THE E.C AND CONFORMS TO CE REGULATIONS**

Dealers Stamp: